

## Features

- Low burden
- Contacts picked up for healthy supply condition contacts
- Slug time delay
- Hand reset flag indicator
- 2 C/O contacts standard
- Draw out case
- Equivalent function to MVAX12
- 1TM11 specification

## Application

The operating element for the 6R MATRIX supervision relay functional elements are designated 6RX & are based on our 6R Series relays.

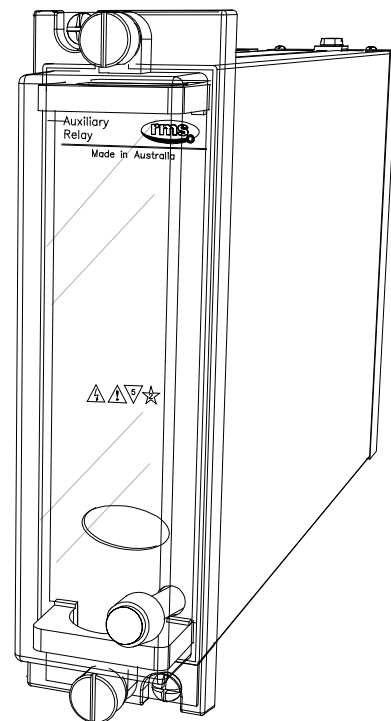
The operating element of the 6RX12 comprises a single 6R heavy-duty attracted armature control relay with a single operating coil & delay slug. The relay is normally operated to indicate a healthy trip circuit supply while a slug is fitted to provide a delay on drop out & avoid nuisance tripping due to transients.

Under healthy conditions, the coil is energized & if the supply fails, the relay will drop out after a short time delay to initiate a supply fail alarm.

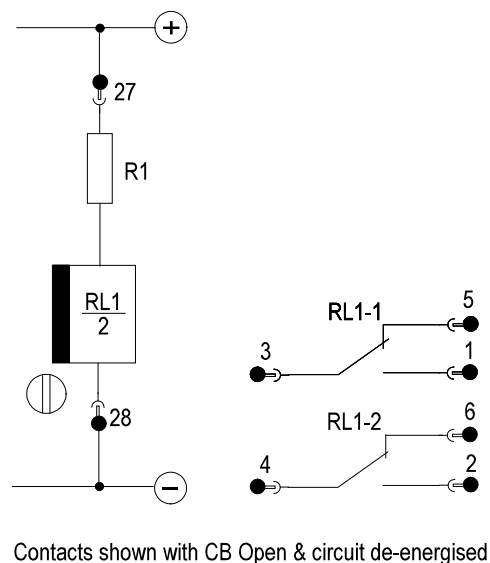
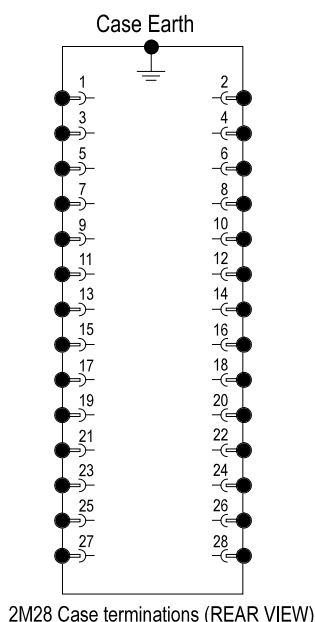
Contacts are constructed from silver / copper alloy, shaped & positioned to ensure very reliable, low resistance operation. Over travel of the contacts during each operation causes a wiping action ensuring a clean "make".

# 6RX12

## Trip Supply Supervision Relay



2M28 draw out case



## Ordering Codes

### CIRCUIT RESISTANCE & BURDEN

The 6RX12 circuit design is optimized to minimize the supervision current to minimize the burden on the supervised supply. The total series resistance provided by R1 & RL1 is tabulated below.

Nominal supply	~Resistance (ohms)	Current (mA)	Burden (Watts)
24V DC	1,200	20	<0.6
32V DC	1,600	20	<1.0
48V DC	2,400	20	<1.0
110V DC	11,000	10	<1.2
125V DC	11,000	11	<1.5
220V DC	22,000	10	<2.5
240V DC	24,000	10	<2.5
250V DC	24,000	11	<2.7

### THERMAL RATING

All circuits are designed to withstand continuous application of 120% of nominal voltage.

### FLAG OPERATION

Each relay element is supplied with a flag (target) indicator. The indicator consists of a high visibility solid dayglow orange mechanical flag.

Operation: Drops on coil de-energisation.  
 Reset: Hand reset.

### OPERATING VOLTAGE RANGE

Guaranteed operation between 65% & 120% of nominal rated operating voltage.

### DROP OUT VOLTAGE

Drop out between 25 & 40% of nominal rated operate voltage.

### RESET TIME

Not less than 200ms when supply is switched from 100% of nominal rated operating voltage to off.

### NOMINAL OPERATING VOLTAGES

24, 32, 48, 110, 220, 240 125, 220, 240 & 250V DC available.

### CONTACTS

Standard: 2 C/O  
 Other contact arrangements: On application  
 Drop out delay: 200ms approx.

Generate the required ordering code as follows:  
 e.g. 6RX12-D

6RX12



### 1 NOMINAL OPERATE VOLTAGE

A	24V DC	E	125V DC
B	32V DC	G	220V DC
C	48V DC	H	240V DC
D	110V DC	F	250V DC

### 6R RELAY CONTACT RATINGS

#### Make & Carry Continuously

3,000 VA AC resistive with maximums of 660V & 12A  
 3,000 W DC resistive with maximums of 660V & 12A

#### Make & Carry for 3 Seconds

7,500 VA AC resistive with maximums of 660V & 30A  
 7,500 W DC resistive with maximums of 660V & 30A

#### AC Break Capacity

3,000 VA AC resistive with maximums of 660V & 12A

#### DC Break Capacity (Amps)

Voltage	24V	48V	125V	250V
Resistive rating	12	2	0.5	0.25
L/R=40ms	Maximum break	1	0.25	0.15

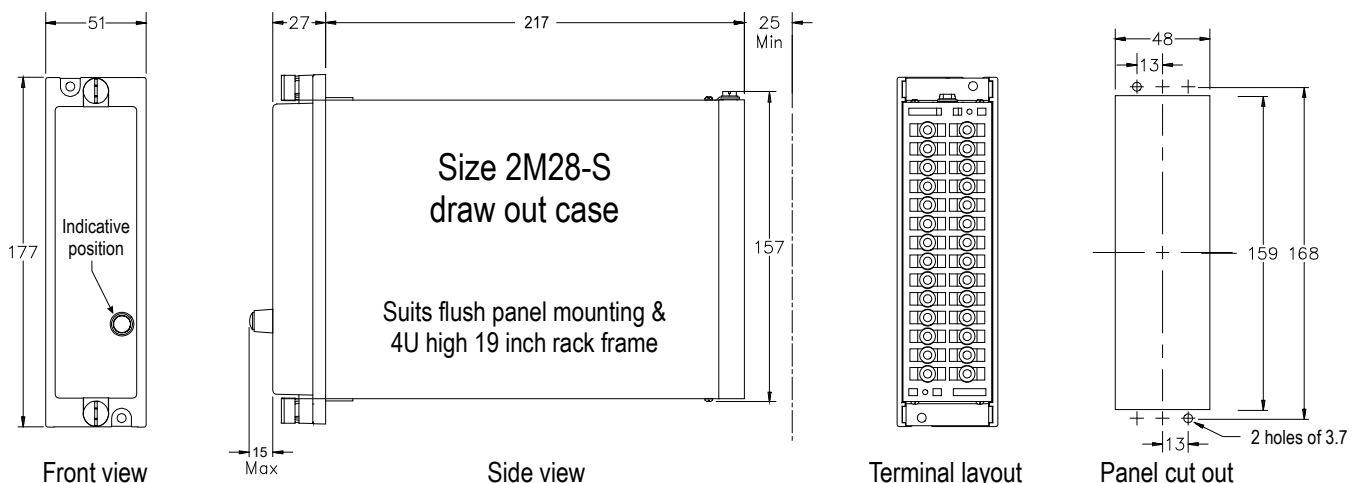
### INSULATION WITHSTAND in accordance with IEC 255-5:

2KV RMS & 1.2/50 5KV impulse between:

- ◆ all terminals & frame
- ◆ each contact group
- ◆ all contacts & coil

### CASE SIZE

2M28-S draw out case





**RMS Mors Smitt**  
A *Wabtec* Company

---

**RMS Mors Smitt**  
19 Southern Court  
Keysborough, VIC 3173, Australia  
Tel: +61 (0)3 8544 1200  
sales.rms@wabtec.com



**RMS Mors Smitt**  
A *Wabtec* Company

**Wabtec Netherlands B.V.**  
Darwinstraat 10  
6718 XR Ede, Netherlands  
Tel: +31 (0)88 600 4500  
wnl\_salesupport@wabtec.com



Visit [www.morssmitt.com/rms](http://www.morssmitt.com/rms) for the latest product information.

Due to RMS continuous product improvement policy this information is subject to change without notice