

Datasheet

Product **D3v2-96S-B**

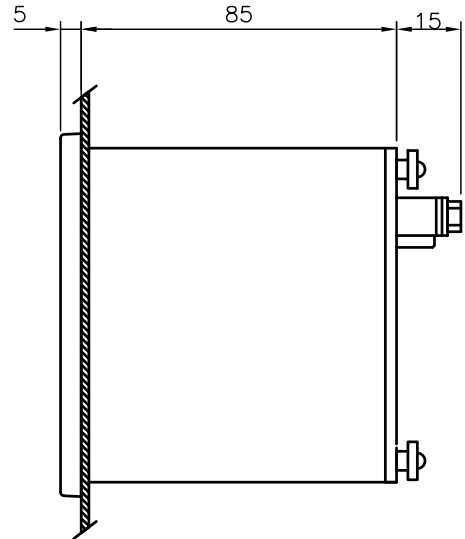
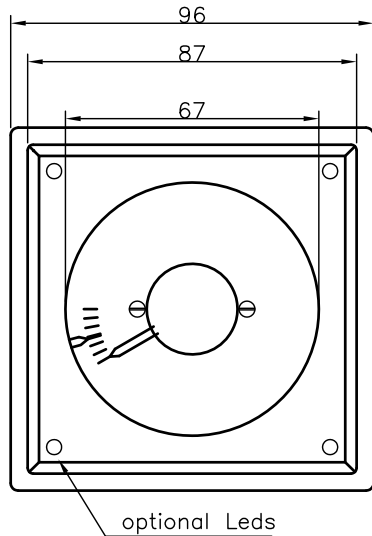


Po Box 7023, 3502 KA Urecht Holland  
Tel: +31(0)30-2881311, Fax: +31(0)30-2898816

Brand Name: MORS-SMITT  
Country of origin: HOLLAND

Description: Square panelmeter for railway applications, double pointer

Dimensions:



General specifications

- Accuracy : 1.5% F.S.D.  
0.75%/10°C
- Operating temp. : -25°C ... +70°C
- Humidity : at 40°C max. 95%
- Protection : front IP54  
rear IP50 (terminals IP00)
- Vibrations : 5...150 Hz, 2g random 3 x 5 h acc. EN 61373 (50155)
- Shock : acc. EN 61373
- Test voltage : 2kV
- Illumination : LEDS, Any voltage between 24 and 110 V AC or DC
- Scale and pointer : Black scale, white pointer and figures
- Terminals : Movement: M5, illumination: faston 6,3x0,8  
Signal Leds: screw terminals
- Glass : low-reflection
- Panel-mounting : with four springs, panel-cutout 92x92 mm (+1)

International standards

- IEC 571
- EN 60051
- EN 50155
- EN 50121

Movement signal

- 0...20 mA
- 4...20 mA
- 0...2,5 mA
- 0...10 V
- other inputs on request
- zero left or middle

Options

- White scale with black pointer and printing
- Pointers yellow and red
- Brand label on scale
- Red-line marking(s) on the scale
- Coloured band(s) on the scale
- Signal-Leds, max 4

Codes

- B : acc. EN50155 (standard)
- xL : Signal Led's (on request)  
x = number of Leds
- W : White scale
- C : Temperature range -50°C...+70°C