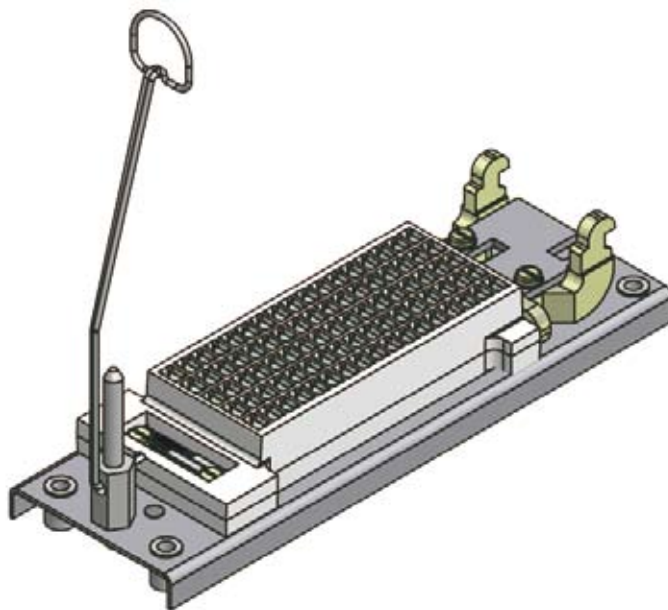


COR OU - Socket

Datasheet



Description

The COR OU socket has single faston. 5 mm faston terminals are required for proper connection.

The COR OU socket is equipped with a wire locking spring. Prior to packing each socket is uniquely keyed in the factory.

The COR OU socket is suitable for all 401 & 407 relays.

Application

The COR OU socket is designed for panel mount of relays with single faston rear connection.

Features

- Rear connection, with single faston 5 mm
- No internal soldering / connections
- For panel mount
- Spring lock
- COR OU suitable for all 401 and 407 relays
- -40 °C...+80 °C operating temperature

Benefits

- Proven reliable
- Long life cycle
- Easy to maintain and replace
- Low life cycle cost
- No maintenance

Railway compliancy

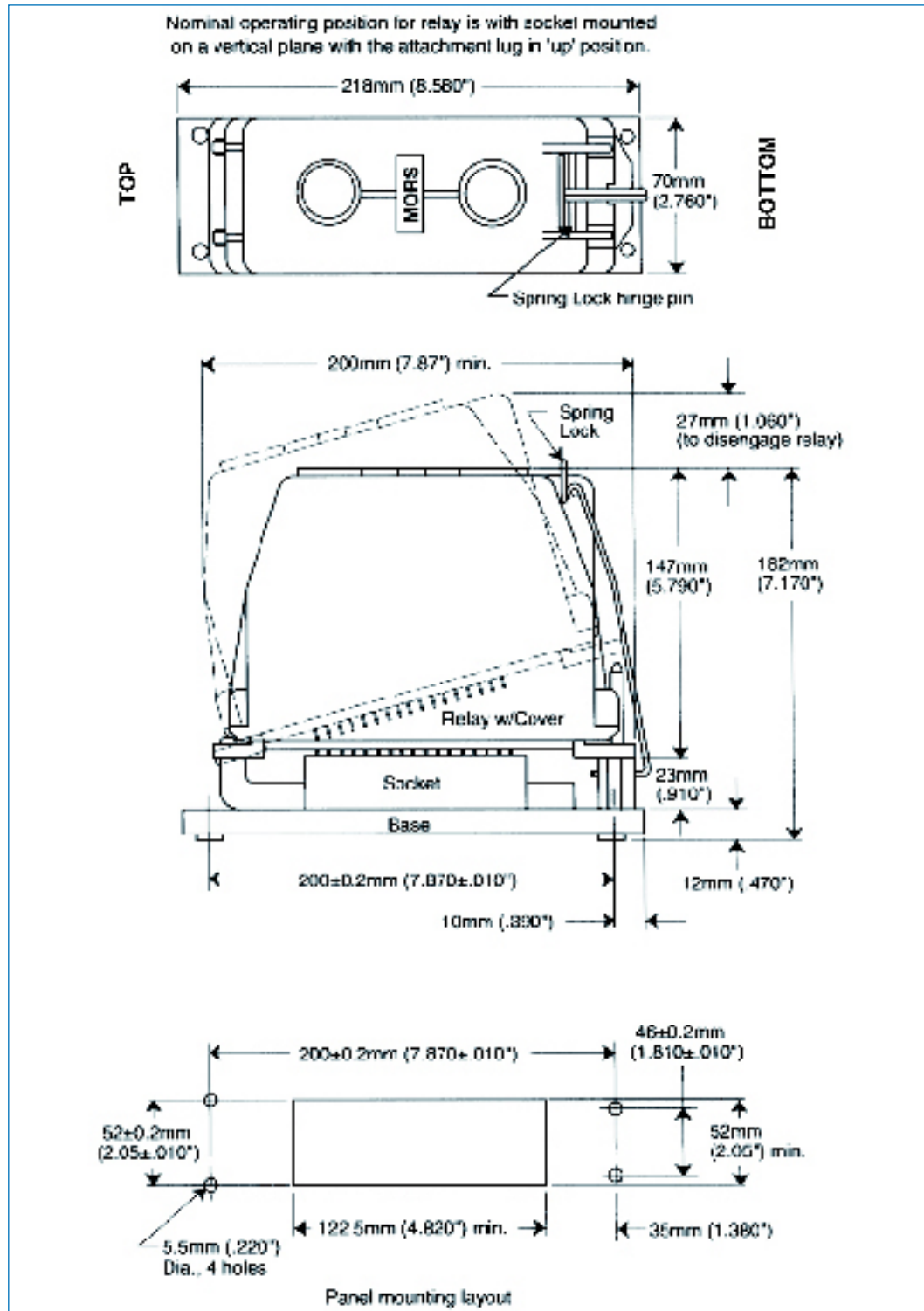
- NF F 62-002 Rolling stock - Instantaneous relay contacts and sockets
- NF F 16-101/102 Fire behaviour - Railway rolling stock



COR OU socket

Technical specifications

Dimensions (mm) COR OU



COR OU socket

Keying

Keying explanation

Each serie 400 relay is tested and individually packaged in a sealed bag. Prior to packaging, each relay is uniquely keyed by the factory. A test report for each lot of relays is provided with shipment.

Socket and spring lock (116470) are packaged in a box. Prior to packaging, each socket is uniquely keyed by the factory.

The socket includes 4 holes M5 threaded mounting bolts. Mounting hardware is not supplied. The recommended installation torque is 1.7 Nm (1.25 ft-lbs).

Note that exact quantity of hardware is provided. Additional spare parts kits are available and may be ordered separately.

Mechanical characteristics

Weight	726 g
--------	-------



COR OU socket

Notes



COR OU socket

Ordering scheme

COR OU

1. Socket model

XX

2. Keying type
optional

This example represents a **COR OU type socket**

Description: COR OU socket for 400 series relay with keying code XX.

1. Relay model

COR OU

2. Keying

XX





Mors Smitt France SAS

Tour Rosny 2, Avenue du Général de Gaulle,
F - 93118 Rosny-sous-Bois Cedex, FRANCE
T +33 (0)1 4812 1440, F +33 (0)1 4855 9001
E sales@msrelais.com

Mors Smitt Asia Ltd.

807, Billion Trade Centre, 31 Hung To Road
Kwun Tong, Kowloon, HONG KONG SAR
T +852 2343 5555, F +852 2343 6555
E info@morssmitt.hk

Mors Smitt B.V.

Vrieslantlaan 6, 3526 AA Utrecht,
NETHERLANDS
T +31 (0)30 288 1311, F +31 (0)30 289 8816
E sales@nieaf-smitt.nl

Mors Smitt Technologies Inc.

420 Sackett Point Road
North Haven, CT 06473, USA
T +1 (203) 287 8858, F +1 (888) 287 8852
E mstechnologies@msrelais.com

Mors Smitt UK Ltd.

Doulton Road, Cradley Heath
West Midlands, B64 5QB, UK
T +44 (0)1384 567 755, F +44 (0)1384 567 710
E info@morssmitt.co.uk