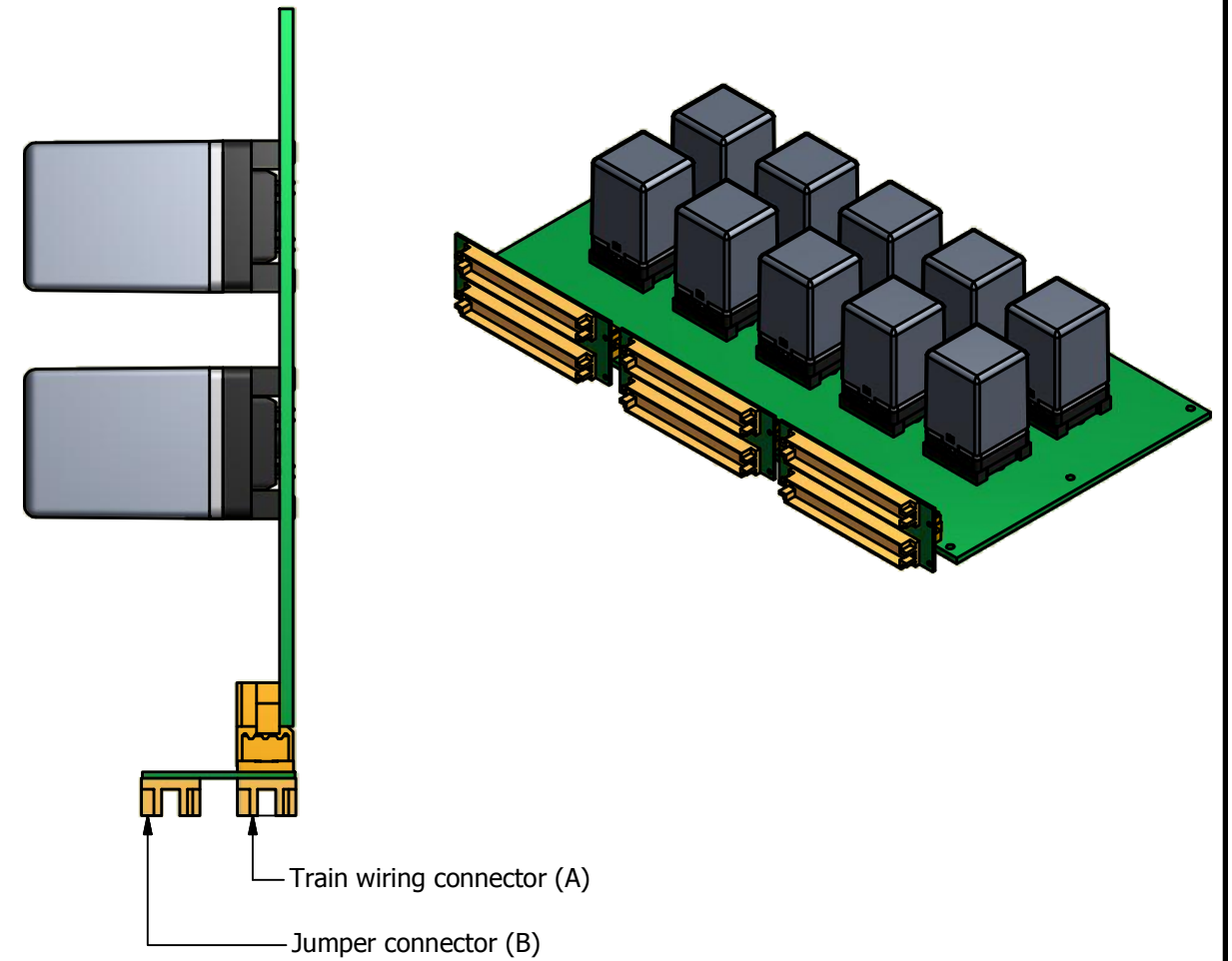
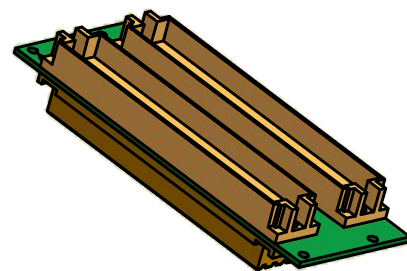
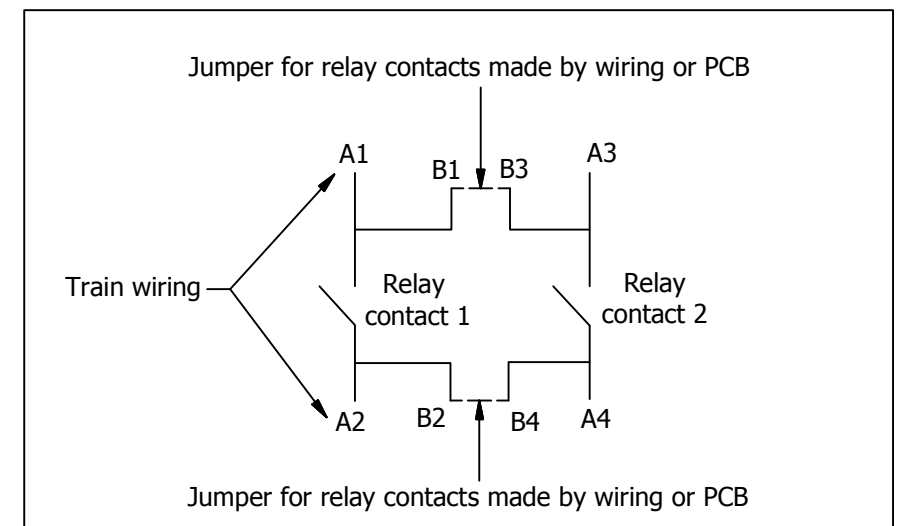


Splitter



Schematic example splitter function



GEN. TOL.: ±	LINEAR ±	ANGLE ±	HOLES ±	DIMENSIONS IN: mm	SOURCE FILE: 617001322.idw	SHEET 3 OF 7	SCALE: 1:2	DRAWN BY: NB	CHECKED: TR	REVISION DATE: 10-06-2013
Optional Splitter connector									THIRD ANGLE PROJECTION	SIZE A3
PROPERTY OF MORS SMITT BV UTRECHT - THE NETHERLANDS. DISCLOSURE TO THIRD PARTIES OR COPYING/ REPRODUCTION IN ANY FORM WHATSOEVER, IS NOT PERMITTED WITHOUT THE WRITTEN PERMISSION OF THE OWNER									617001322	